

# INSTALLATION INSTRUCTION

## 108- LED Wall Sconce

WS-10830/ WS-10830F



MODERN FORMS  
A WAC LIGHTING COMPANY

### WARNING

IMPORTANT: NEVER attempt any work without shutting off the electricity.

- Read all instructions before installing.
- System is intended for installation by a qualified electrician in accordance with the National Electrical Code and local regulations.
- Go to the main fuse box, or circuit breaker. Place the main power switch in the "OFF" position and unscrew the fuse(s) or switch "OFF" the circuit breaker switch(es) that control the power to the fixture or room that you are working on.
- Place the wall switch in the "OFF" position.

### CAUTION

- All parts must be used as indicated in these instructions. Do not substitute any parts, leave parts out, or use any parts that are worn out or broken. Failure to follow this instruction could invalidate the ETL/CETL listing of this fixture.
- CAUTION When handling the fixture, do not apply pressure to the LEDs. Hold the fixture by the base only.

### AVERTISSEMENT

IMPORTANT : Coupez l'électricité avant TOUTE manipulation.

- Lisez toutes les instructions avant d'installer.
- Système est destiné à être installé par un électricien qualifié en conformité avec le code national de l'électricité et les règlements locaux.
- Accédez au panneau central de disjoncteurs ou de fusibles de votre demeure et placez l'interrupteur principal en position d'arrêt (« OFF »).
- Placez l'interrupteur mural en position d'arrêt (« OFF »).

### MISE EN GARDES

- Toutes les pièces doivent être utilisées tel qu'il est indiqué dans ces instructions. Ne remplacez pas les pièces, n'en laissez pas de côté et ne les utilisez pas si elles sont usées ou brisées. Le non-respect de ces instructions peut annuler l'homologation ETL/CETL du luminaire.
- MISE EN GARDE Ors de la manipulation de l'appareil, ne pas appliquer de pression à la LED, tenir l'appareil par la seule base.

### ADVERTENCIA

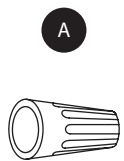
IMPORTANTE: NUNCA intente hacer trabajos sin desconectar el suministro eléctrico.

- Lea y comprenda todas las instrucciones e ilustraciones por completo antes de proceder con el ensamblaje e instalación de esta lámpara.
- Sistema está diseñado para ser instalado por un electricista calificado, de acuerdo con el código eléctrico nacional y las normas locales.
- Diríjase a la caja de fusibles o a la caja del interruptor de circuito principal en su hogar. Coloque el interruptor de alimentación principal en la posición "OFF" (APAGADO).
- Coloque el interruptor de la pared en la posición "OFF" (APAGADO).

### PRECAUCIÓN

- Todas las piezas deben usarse como lo indican estas instrucciones. No reemplace las piezas, no omita piezas durante la instalación ni utilice piezas gastadas o rotas. El incumplimiento de esta indicación podría invalidar la calificación ETL/CETL esta lámpara.
- PRECAUCIÓN Al manipular el aparato, no aplique presión a los LED, mantenga el aparato en la base sólo.

### HARDWARE



Wire Connector  
Qty:3pcs+1Extra  
7EAC112201



Junction Box Screw  
Qty: 4pcs+2 Extra  
7MPF0415C2  
#8-32x9/16 SS



Mounting Screw  
Qty:1 Extra  
7MPF0412S2  
5/32-32x1/2 SS



Conversion Plate  
Qty:1pc  
4MBC151110NI(PN)  
Polished Nickel



Mounting Ring  
Qty:1pc  
7MBC101501



Allen Screw  
Qty: 1 Extra  
7MPF0408K2  
5/32"-32x5/16  
Nickel Plating



Allen Wrench  
Qty:1pc  
7MPE205001  
Nickel Plating



Driver  
Qty:1pc  
LD-350MA14U-IS-P

### Modern Forms

www.modernforms.com  
Phone (800) 526.2588 • Fax (800) 526.2585

### Headquarters/Eastern Distribution Center

44 Harbor Park Drive • Port Washington, NY 11050  
Phone (516) 515.5000 • Fax (516) 515.5050

### Western Distribution Center

1750 Archibald Ave • Ontario, CA 91761  
Phone (800) 526.2588 • Fax (800) 526.2585



# INSTALLATION INSTRUCTION

## 108- LED Wall Sconce

WS-10830/ WS-10830F



MODERN FORMS  
A WAC LIGHTING COMPANY

### PREPARATION

1. Shut off the power at the circuit breaker and remove existing fixture, including the crossbar.
2. Carefully unpack your new fixture and lay out all the parts on a clear area. Be careful not to lose any small parts necessary for installation.

### INSTALLATION

#### MOUNT ON 2"X4" SWITCH BOX (Fig. 1)

3. Remove the mounting screw (C) from the fixture, and then take down the mounting back plate.
4. Connect the Driver's input wires to switch box wires as shown in Fig. 3, making sure that all wire connectors (A) are secured. If your outlet box has a green or bare copper ground wire, connect the fixture's ground wire to it. Otherwise, connect the fixture's ground wire directly to the back plate using the green screw provided. After wires are connected, tuck them carefully inside the switch box.

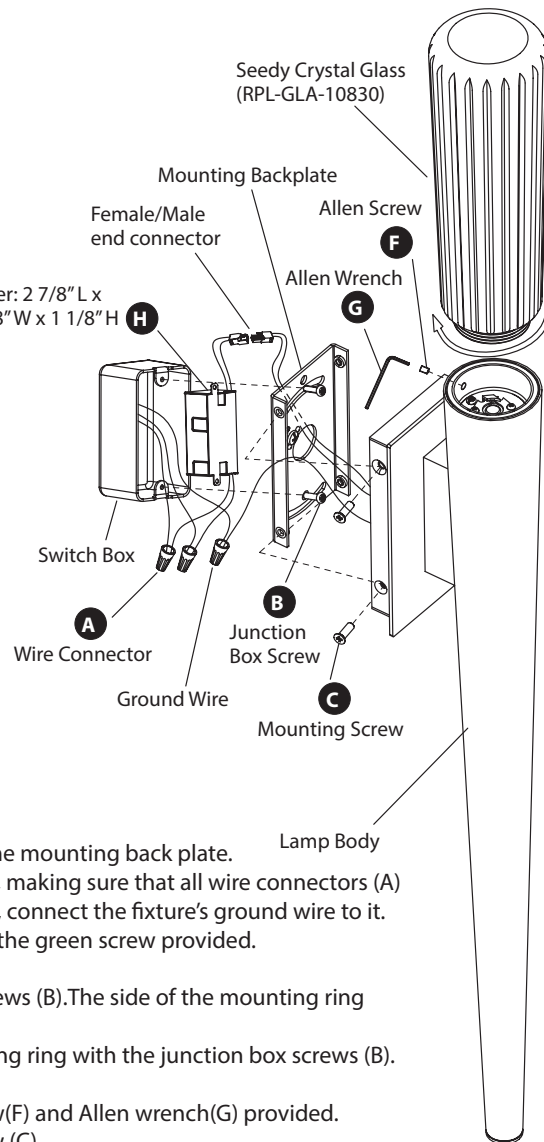
**\* Requires Driver to be recessed in the switch box.**

5. Secure the mounting back plate to the switch box using junction box screws (B). The side of the mounting back plate marked "GND" must face out.
6. Plug the male end connector into the female end connector.
7. Thread the bubble crystal glass into the fixture. Secure using Allen screw (F) and Allen wrench (G) provided.
8. Secure the fixture to the mounting back plate using the mounting screw (C).

OR

#### MOUNT ON 4"X4" JUNCTION BOX (Fig. 2)

3. Remove the mounting screw (C) from the fixture, and then take down the mounting back plate.
  4. Connect the Drivers' input wires to junction box wires as shown in Fig. 3, making sure that all wire connectors (A) are secured. If your outlet box has a green and bare copper ground wire, connect the fixture's ground wire to it. Otherwise, connect the fixture's ground wire directly to back plate using the green screw provided.
- \* Requires Driver to be recessed within the junction box.**
5. Secure the mounting ring (E) to the junction box using junction box screws (B). The side of the mounting ring marked "GND" must face out.
  6. Secure the mounting back plate and conversion plate (D) to the mounting ring with the junction box screws (B).
  7. Plug the male end connector into the female end connector.
  8. Thread the bubble crystal glass into the fixture. Secure using Allen screw (F) and Allen wrench (G) provided.
  9. Secure the fixture to the mounting back plate using the mounting screw (C).



# INSTALLATION INSTRUCTION

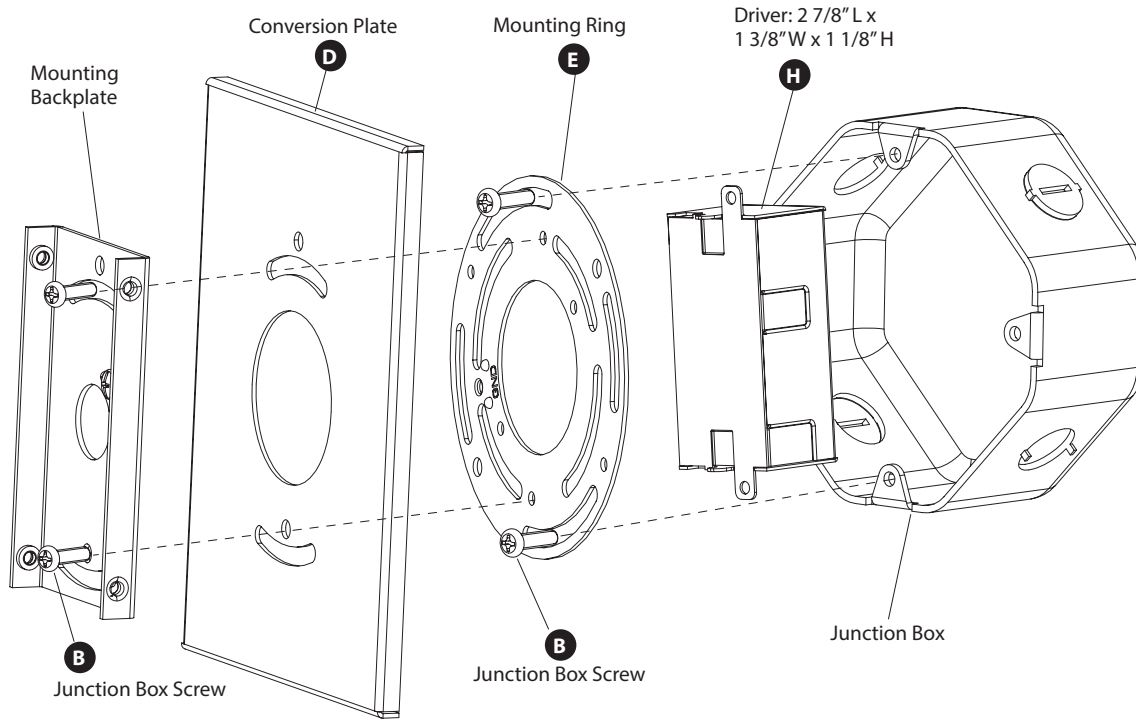
## 108- LED Wall Sconce

WS-10830/ WS-10830F

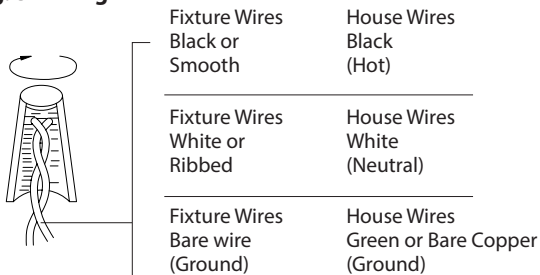


**MODERN FORMS**  
A WAC LIGHTING COMPANY

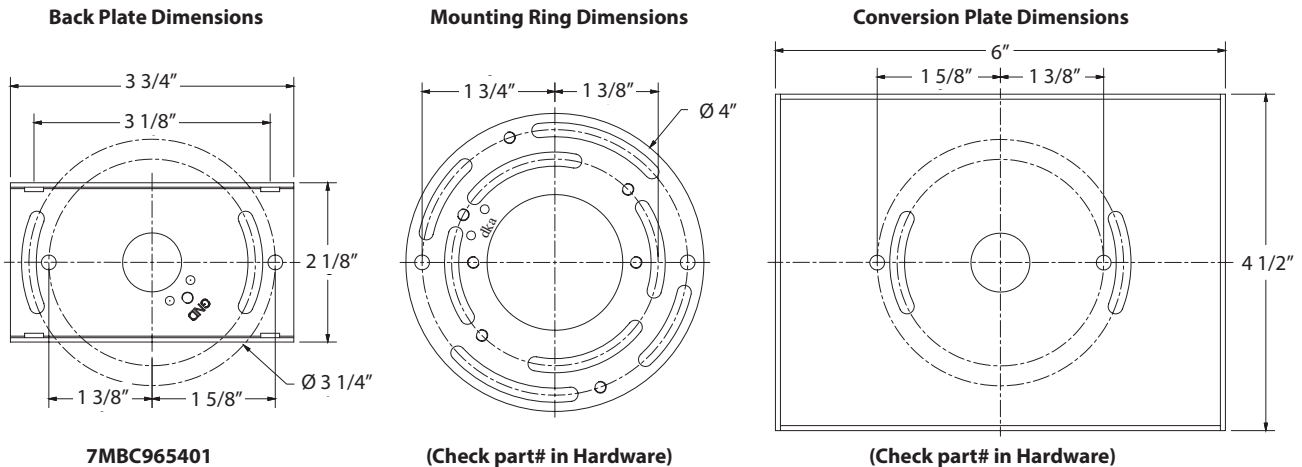
**Fig.2**



**Fig. 3 Wiring**



**Fig.4**



Modern Forms  
www.modernforms.com  
Phone (800) 526.2588 • Fax (800) 526.2585

Headquarters/Eastern Distribution Center  
44 Harbor Park Drive • Port Washington, NY 11050  
Phone (516) 515.5000 • Fax (516) 515.5050

Western Distribution Center  
1750 Archibald Ave • Ontario, CA 91761  
Phone (800) 526.2588 • Fax (800) 526.2585

